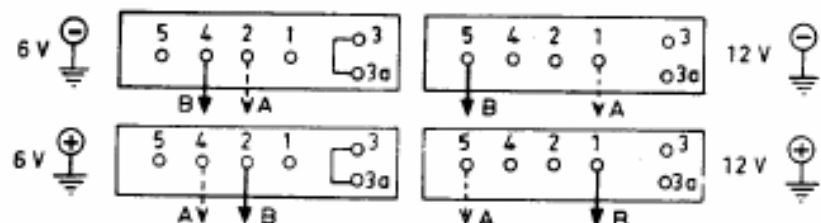
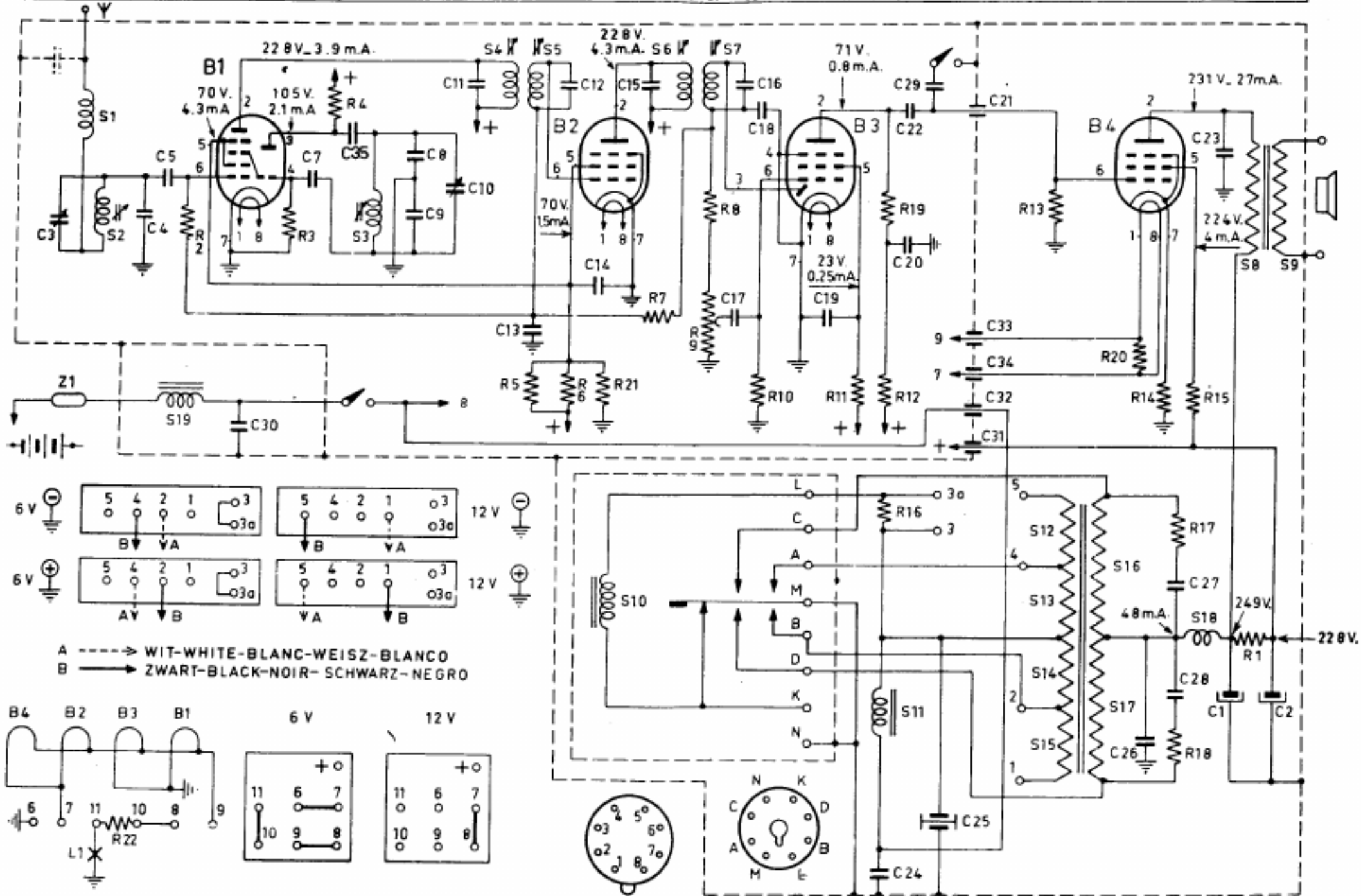
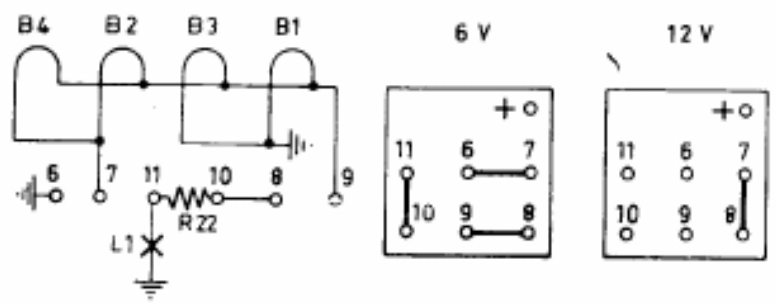


S	1	2	19	3	4	5	10	6	7	11	12	13	14	15	16	17	18	8	9															
C	3	4	5	30	7	35	8	9	10	11	13	12	14	15	17	16	18	19	24	22	20	29	25	21	33	34	32	31	26	27	28	23	1	2
R	22	2	3	4	5	6	21	7	8	9	10	11	19	12	16	13	20	14	17	18	15	1												



A ---> WIT-WHITE-BLANC-WEISZ-BLANCO
 B ---> ZWART-BLACK-NOIR-SCHWARZ-NEGRO



PHILIPS mod. NX 344V

R15326